



**COMPONENT
OVERVIEW 2020
SOUTH AFRICA**

SCHLETTER
The Solar Mounting Group

General information

Materials:

Roof hooks and their main components:
Stainless steel 1.4301 or aluminium

Screws:
Stainless steel A2 or better

Sheet metal parts:
Stainless steel 1.4301 or aluminum.

Module clamps:
Aluminum

Rubber seal:
EPDM gasket (UV-resistant)

Deviating materials are described with the individual items.

Planning aid:

Configuration and structural dimensioning with the
Schletter Configurator

Structural analysis:

Static calculation according to the current country-specific standards (in Germany EN 1991, EC1). Structural analysis supplement for the dimensioning of the number of required fastening points, based on the structural analysis. Please make sure you observe the structural analysis information in each case! The verification of the adhesive force of the roof to the substructure is not included in the general structural analysis appendices!

Production-specific tolerances are to be considered with all dimension specifications.

On customer request, all companies of the Schletter Group can purchase goods from the Schletter factories in Germany and China (Shanghai). Both factories have been certified according to ISO 9001. Further details about the certifications are available on the respective Schletter websites.

TABLE OF CONTENTS

Component overview

Presentation	
Brochures and software	06
Sample case	07
Roof hooks	
Standard roof hooks	10
Rapid ²⁺ roof hooks	11
Special fasteners	
Special fasteners for roofs with steel substructure	14
Special fasteners for roofs with wooden substructure	16
Special fastener accessories	17
Sheet metal seam clamps	18
System VarioFix / SingleFix / FixZ mounting kit	20
ClampFit	21
Module clamps	
Module clamps for framed modules	24
Clamps for laminate modules	26
Laminate clamp accessories	28
Profiles	
Module support and mounting profiles	32
Profile accessories	34
Supports	
Flat roof supports - beam kit	38
Flat roof support/Facade support – beam kit	39
Beam kit accessories	40
Support accessories	41
Load-optimized flat roof systems	
FixGrid	44
FlatGrid	46
Screws and small parts	
Screws and small parts	50



PRESENTATION

Brochures and Software

Sample case

BROCHURES AND SOFTWARE

Presentation



The latest brochures, product sheets, mounting instructions and further technical information as well as software can always be found in the download area of www.schletter-group.com

Upon request, we will also gladly send you our brochures in digital format.

SAMPLE CASE

Presentation



Similar illustration

Upon request!

195000-297 Sample case of roof and standard systems
Contains samples of major products in the
Schletter mounting systems



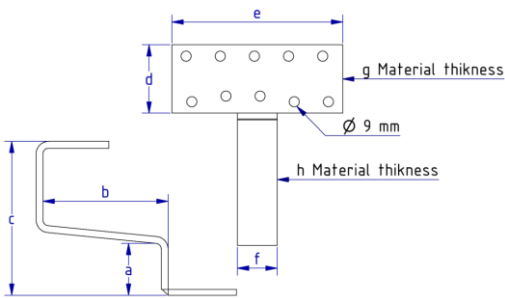
ROOF HOOKS

Standard roof hooks

Rapid²⁺ roof hooks

STANDARD ROOF HOOKS

Roof hooks



- All roof hooks made of stainless steel
- Adjustable hooks completely pre-assembled

Wood screws, square head bolts (M10 x 25 mm) and flange nuts must be ordered separately.

Roof hooks Eco S

- VA quality
- Welded
- Symmetric bar arrangement

100004-000 Eco S 135 roof hooks (normal height 135 mm)

	a	b	c	d	e	f	g	h	
mm	45	110	135	60	150	35	5	6	PU:20

100007-000 Eco S 165 roof hooks (normal height 165 mm)

	a	b	c	d	e	f	g	h	
mm	45	110	165	60	150	35	5	6	PU:20

109008-003 RapFix – extension for Eco roof hooks	PU:50
Especially for roof hooks that are not available as a rapid version	

Universal roof hooks

- VA quality
- Variable bar arrangement
- Adjustable at the front and rear
- Center bar can be used in three positions

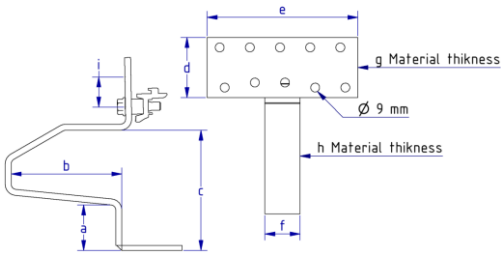
100001-000 Universal roof hooks (Frankfurt pantile or interlocking tiles)

	a	b	c	d	e	f	g	h	
mm	42–52	115	102–135	74	150	30	5	6	PU:20

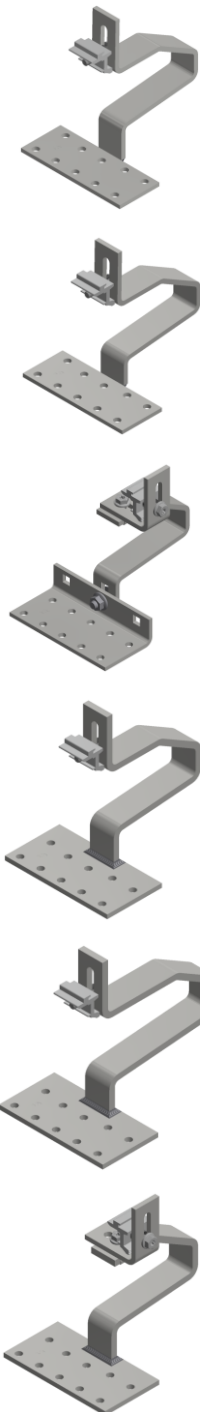


RAPID²⁺ ROOF HOOKS

Roof hooks



- VA quality
- Welded
- Symmetric bar arrangement
- Pre-assembled



101001-000 Rapid ²⁺ Roof hooks 45										
	a	b	c	d	e	f	g	h	i	
mm	45	110	118	60	150	35	5	6	30	PU:20

Comparable to: Eco S 100004-000

101002-000 Rapid ²⁺ Roof hooks 35										
	a	b	c	d	e	f	g	h	i	
mm	35	110	108	60	150	35	5	6	30	PU:20

Like 101001-000, but 35 mm / 1.38-inch fork height for low battens

101004-000 Rapid ²⁺ Universal Roof hooks										
	a	b	c	d	e	f	g	h	i	
mm	40-52	110	115-127	74	150	35	5	6	30	PU:10

Universally adjustable, for vertical rail mounting
Comparable to: Universal 100001-000

101005-000 Rapid ²⁺ Max Roof hook										
	a	b	c	d	e	f	g	h	i	
mm	45	120	125	80	150	35	6	8	30	PU:10

Like 101001-000, but bar 35 x 8 mm / 1.38 x 0.31 inches for heavy snow loads

101005-001 Rapid ²⁺ Max Roof hook 150										
	a	b	c	d	e	f	g	h	i	
mm	45	150	125	80	150	35	6	8	30	PU:10

Like 101005-000, but measure b 150 mm

101006-000 Rapid ²⁺ MaxV Roof hooks										
	a	b	c	d	e	f	g	h	i	
mm	45	120	125	80	150	35	6	8	30	PU:10

Like 101005-000, but for vertical rail mounting



SPECIAL FASTENERS

Special fasteners for roofs with steel substructure

Special fasteners for roofs with wooden substructure

Special fastener accessories

Sheet metal seam clamps

System VarioFix / SingleFix / FixZ mounting kit

ClampFit

SPECIAL FASTENERS FOR ROOFS WITH STEEL SUBSTRUCTURE

Roof cladding: Corrugated roofs & trapezoidal sheet



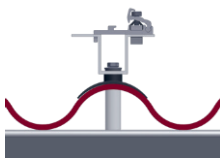
Threaded screw, self-grooving, VA

943763-064	6,3x64	PU:100
943763-115	6,3x115	PU:100
943763-150	6,3x150	PU:100
943763-200	6,3x200	PU:50

The fixing points must be pre-drilled with Ø 5 mm

+ adapter

= ready to use
Fastening systems



119033-002	Uno M8 universal adapter	PU:50
119005-000	Seal cap for corrugated sheets 5 / 6 / 8	PU:50
119004-002	Spacer sleeve AL 65 x 20*	PU:50
119004-003	Spacer alu 995 x 20**	PU:30

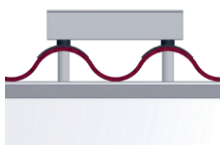
* for profile height 57 mm
** for other profile heights, these must be cut to size at the construction site
Rapid cross connectors (item 129063-000) must be ordered separately



x 2



x 2



119033-005	Duo M8 universal adapter	PU:50
119005-000	Seal cap for corrugated sheets 5 / 6 / 8	PU:50
119004-002	Spacer sleeve AL 65 x 20*	PU:50
119004-003	Spacer alu 995 x 20**	PU:30

For each mounting point, 2 threaded screws must be calculated

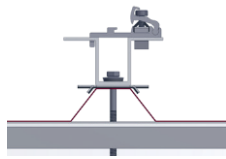
* for profile height 57 mm
** For other profile heights, these must be cut to size at the construction site

SPECIAL FASTENERS FOR ROOFS WITH STEEL SUBSTRUCTURE

Roof cladding: Corrugated roofs & trapezoidal sheet

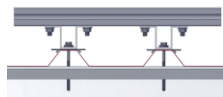
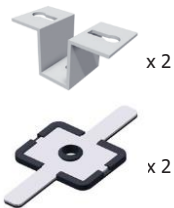
+ adapter

= ready to use
Fastening systems



119033-002 Uno M8 universal adapter	PU:50
119005-001 Universal sphere cap with EPDM	PU:50

Rapid cross connectors (item 129063-000) must be ordered separately



119033-002 Uno M8 universal adapter	PU:50
119005-001 Universal sphere cap with EPDM	PU:50

For each mounting point, 2 threaded screws must be calculated

Additionally, the upper profile and the necessary mounting screws must be considered

SPECIAL FASTENERS FOR ROOFS WITH WOODEN SUBSTRUCTURE

Roof cladding: Corrugated roofs & trapezoidal sheet

For corrugated sheets (such as those of fiber cement) or trapezoidal sheet roofs, corrugated roof fastening sets consisting of a special hanger bolt with EPDM seal and a mounting plate are used. Please note that illustrations and thread lengths may vary!



Hanger bolt

110010-200 Hanger bolt set 10 x 200 mounted	PU:50
110012-200 Hanger bolt set 12 x 200 mounted	PU:50
110012-300 Hanger bolt set 12 x 300 mounted	PU:50

Hanger bolt set pre-assembled with vulcanized EPDM seal (UV resistant) and 3 flange nuts in V4A, mounted

+ adapter

= ready to use
Fastening systems



119002-000 Mounting plate for hanger bolt M10 / M12 For hanger bolts M10 / M12, loose, aluminum 120 x 60 x 6 mm	PU:50
---	-------



119001-000 KlickTop extension part for hanger bolt For M10 / M12 hanger bolts, loose, aluminum	PU:50
--	-------



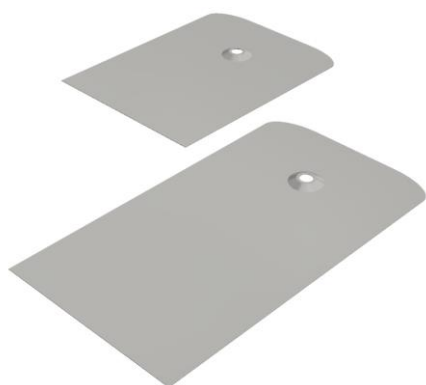
119033-004 Universal adapter Duo M10 / M12 For M10 / M12 hanger bolts, loose, aluminum	PU:50
--	-------



119033-001 Universal adapter Uno M10 / M12 For M10 / M12 hanger bolts, loose, aluminum	PU:50
--	-------

Rapid cross connectors (item 129063-000) must be ordered separately

SPECIAL FASTENER ACCESSORIES



SlatePlan for attachment with hanger bolts

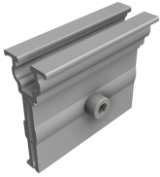
SlatePlan can be used on roofs with shingle covers, such as from bitumen, fiber cement or slate, for connection by hanger bolt systems. For accessories, see hanger bolts

109017-000 SlatePlan with seal 270 x 200 x 0.5 mm	PU:50
109017-001 SlatePlan with seal 370 x 200 x 0.5 mm	PU:50

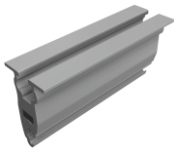
SHEET METAL SEAM CLAMPS

Special fasteners

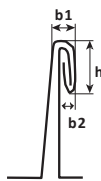
Please note: The tightening torque must be limited so that the sheet metal seam does not become distorted and the thermal lengthening of the sheets is not prevented!



112001-005 Folding clamp 503 Rapid for standing seam roof	PU:50
--	-------



112001-010 Seam clamp 504 AL KK for standing seam roof Especially suitable for double standing seam roofs made of titanium zinc sheet	PU:50
--	-------



Possible dimensions of the border fold (left dimension drawing) $h = 11-13$ mm, $b_1 = 4-6$ mm, $b_2 = \text{max. } 3$ mm

The 504 seam clamp was developed together with the Rheinzink company for use on double standing seam roofs made of titanium zinc sheet and approved by Rheinzink.
The profiles mounted on the standing seam clamps must not exceed a length of about 3 m without thermal separation.



112002-003 Seam clamp 510 AL Rapid for KalZip and similar	PU:50
--	-------



112003-003 Seam clamp 520 Rapid Zambelli RibRoof465 and similar	PU:50
--	-------



112004-002 Folding clamp 522 AL Rapid Zambelli RibRoof500 and similar	PU:50
--	-------

SHEET METAL SEAM CLAMPS

Special fasteners



112012-006 Seamclamp 550 f. Brownbuilt, Diamondek a. similar	PU:100
---	--------



112012-007 Seamclamp 551 f. KlipLok, KlipTite a. similar	PU:100
---	--------



112012-008 Seamclamp 552 f. Novotexi+ a. similar	PU:100
---	--------



112012-009 Seamclamp 553 f. Craftlock a. similar	PU:100
---	--------



109008-004 RapFix - attachment flush, for seam clamps of other suppliers M8 bolt for connection included	PU:50
--	-------



119001-004 Mounting bracket_f. accessories (e.g. module optimizer)	PU:100
---	--------

SYSTEM VARIOFIX / SINGLEFIX / FIXZ MOUNTING KIT

Special fasteners

The universal trapezoidal sheet fastener for steel and aluminum sheet from 0.5 mm. Pay special attention to the usage notes!

SingleFix-V



113009-103 SingleFix-V -pair set for corrugation heights from 22 mm PU:50
(2 x SingleFix-V Solo, 4 sheet metal screws)
Used in connection with Solo mounting rails, for example

+ Profile

= Mounting kit



120011-00450 EcoLight 450 mm module support profile PU:50



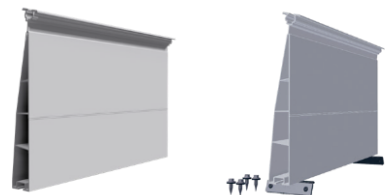
121010-202 FixZ-7 system profile18 lower 450 mm PU:25



121001-202 FixZ-7 upper system profile18 450 mm PU:25



121009-202 FixZ-15 system profile18 lower 450 mm PU:25



121008-202 FixZ-15 upper system profile18 450 mm PU:25

CLAMPFIT

Special fasteners



The cost-optimized trapezoidal sheet fastener system for steel and aluminum sheet from 0.5 mm. Pay special attention to the usage notes!

130004-100 ClampFit fastener	PU:100
Module clamps additionally needed depending on the frame height	



MODULE CLAMPS

Module clamps for framed modules

Clamps for laminate modules

Laminate clamp accessories

MODULE CLAMPS FOR FRAMED MODULES

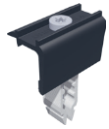
Module clamps

Rapid16 AL module clamp system

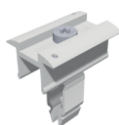
Clamping length: 50 mm



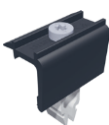
AL blank	Black anodized item designation	Installation type
131121-002	131121-902 Rapid16 center clamp 40–50	V + H PU:100



131101-002	131101-902 End clamp Rapid16 40–50	V + H PU:50
------------	------------------------------------	-------------



131121-001	131121-901 Rapid16 center clamp 30–40	V + H PU:100
------------	---------------------------------------	--------------



131101-001	131101-901 Rapid16 end clamp 30–40	V PU:50
------------	------------------------------------	---------



131101-003	131101-903 Rapid16 end clamp 30–40	H PU:50
------------	------------------------------------	---------

MODULE CLAMPS FOR FRAMED MODULES

Module clamps

Rapid16 AL module clamp system

Clamping length: 50 mm



AL blank	Black anodized item designation	Installation type
131121-112	Middle clamp Rapid16 40 - 50 L	V + H PU:100



131121-111	Middle clamp Rapid16 30 - 40 L	V + H PU:100
------------	--------------------------------	--------------



131101-101	131101-191 End clamp Rapid16 30 - 40 L	V PU:50
------------	--	---------



131101-102	131101-192 End clamp Rapid16 40 - 50 L	V + H PU:50
------------	--	-------------



131101-103	131101-193 End clamp Rapid16 H 30 - 40 L	H PU:50
------------	--	---------

CLAMPS FOR LAMINATE MODULES

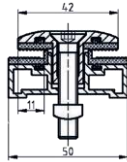
Module clamps

Profi and Eco laminate series

For various module thicknesses Attention:
Observe the tightening torque!
(see also: General information on laminate mounting)

Profi laminate series

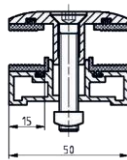
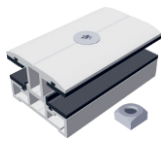
for laminate thicknesses 3–14 mm
Glass inset: Profi narrow 11 mm, Profi wide 15 mm
Length: 80 mm, clearance between modules: approx. 20 mm
Incl. countersunk screw and square nut



132201-308 Profi center clamp narrow 3–8 mm set	PU:200
--	--------



132101-308 Profi end clamp narrow 3–8 mm set	PU:200
---	--------



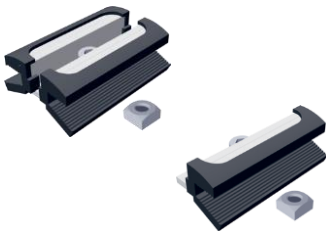
132202-308 Profi center clamp wide 3–8 mm set	PU:200
--	--------



132102-308 Profi end clamp wide 3–8 mm set	PU:200
---	--------

CLAMPS FOR LAMINATE MODULES

Module clamps



Eco laminate series

Length of aluminum clamp: 70 mm, glass inset: 11 mm, clearance between modules. 22 mm, (no compression of the laminate)

133264-168	Eco6-S4 center clamp laminate 6.8 mm set	PU:100
133164-168	Eco6-S4 end clamp laminate 6.8 mm set	PU:100

With M8 x 20 accessories, without click-in component

With aluminum clamp surrounding EPDM rubber

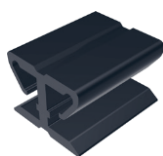
Certified clamps for First Solar series 4 modules made of highly insulated EPDM rubber material. The certification can be found in the download area at www.schletter-group.com

LAMINATE CLAMP ACCESSORIES

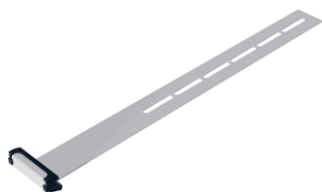
Module clamps



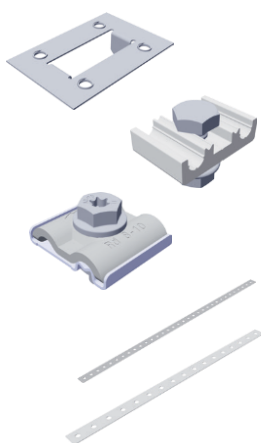
AL blank		
139004-000	Bearing plate for Eco module clamp For raising the bearing surface	PU:200



973000-012	Spacer For laminate thicknesses 4–10 mm	PU:100
-------------------	--	--------



AL blank		
139008-006	Safety hooks, laminate 3–8 mm	PU:100



Lightning protection and potential equalization

135004-000	Ground plate for module grounding, not for laminate clamps!	PU:100
135003-000	Lightning protection clamp for 8 mm AL completely pre-assembled (for DM 8 mm wiring)	PU:20
135003-002	Grounding and lightning protection clamp VA M8 Clamping range Rd 8–10 mm Connection single / multi-wire 4–50 mm ²	PU:20
119015-002	Punched mounting tape 6mm – Reel á 50 m	PU:1
119015-003	Punched mounting tape 16mm – Reel á 50 m lightning resistant	PU:1



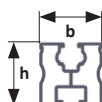
PROFILES

Module support and mounting profiles

Profile accessories

MODULE SUPPORT AND MOUNTING PROFILES

Profiles



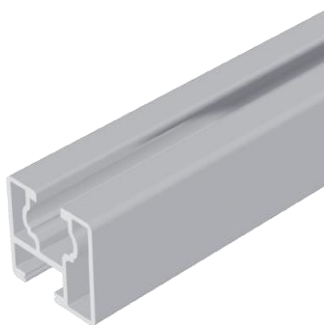
The series for the proven click system with the right accessories
Mounting with square nut, click system and Rapid²⁺

- Structural analysis tables for cross beams
- Load determination software on the Internet:

www.schletter-group.com

(Customer area > Software Download)

Module support profile Eco05



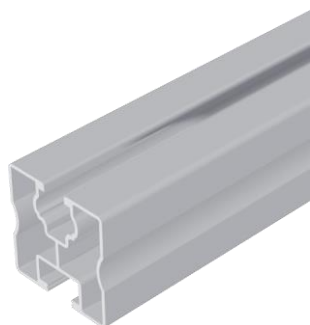
Mechanical connection
Upper: KlickNut M8
Lower: Screw channel M10

b	h
30 mm	30 mm

AL blank

120001-04300	4.3 m
120001-05300	5.3 m

Module support profile Solo



Mechanical connection
Upper: KlickNut M8
Lower: Screw channel M10

b	h
40 mm	40 mm

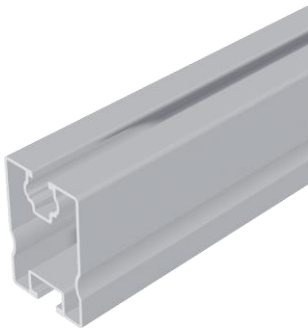
AL blank

Black anodized

120005-02100	2.1 m		
120005-03200	3.2 m		
120005-04300	4.3 m	120005-94300	4.3 m
120005-05300	5.3 m	120005-95300	5.3 m
120005-006	6.0 m		
120005-06200	6.2 m		

MODULE SUPPORT AND MOUNTING PROFILES

Profiles



b	h
40 mm	60 mm

Module support profile SoloPlus

Mechanical connection

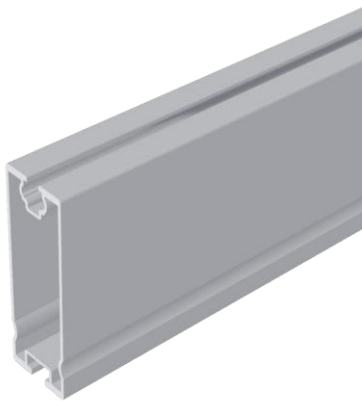
Upper: KlickNut M8

Lower: Screw channel M10

AL blank

120006-04300	4.3 m
---------------------	-------

120006-05300	5.3 m
---------------------	-------



b	h
40 mm	120 mm

Solo XL module support profile

Mechanical connection*

Upper: KlickNut M8

Lower: Screw channel M10

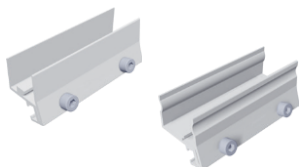
AL blank

120015-05300	5.3 m
---------------------	-------

*The lower M10 screw channel is only suitable for connecting with square head bolt 943410-025. Not for Rapid cross connector, KlickTop or similar connections.

PROFILE ACCESSORIES

Profiles



129001-003	E Eco connector, pre-assembled	PU:100
129002-002	E Solo, SoloPlus connector FixZ-7, FixZ-15, pre-assembled	PU:100

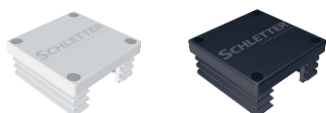


129001-004	Eco internal connector set	PU:50
-------------------	----------------------------	-------

129060-001	Solo slide-in connector set	PU:50
-------------------	-----------------------------	-------



AL blank	Black anodized		
129063-000	129063-900	Rapid cross connector Completely pre-assembled for Klicknut M8 for cross rail system See Rapid cross connector product sheet	PU:200



Grey	Black		
129011-000	129011-900	Solo plastic end cap	PU:100



119033-002	Uno M8 universal adapter	PU:50
-------------------	--------------------------	-------

As clamp dowel for special applications in connection with the Eco05 module support profile the profile must be fastened with M8 screws to the clamp dowel



SUPPORTS

Flat roof supports – Beam kit

Flat roof support/Facade support – Beam kit

Beam kit accessories

Support accessories

FLAT ROOF SYSTEM SUPPORTS

Supports beam kit

For all types of flat roof fasteners, depending on the substrate and fastener, diagonal reinforcement of the support lattice is a good idea.

If necessary, these reinforcements can be built on site, e.g., using our punched mounting tape 16-50 m 119015-003.

Beam kit

Angles of 15°– 40° in 5° increments possible

150002-130 Flat roof support light 1,3m beam kit

	a	b	c	d	e
mm	1195	1193	810-850	600	997-1067

For horizontal and vertical module mounting

Please note:

Refer to the dimension table for mounting areas, observe the specifications of the module manufacturer

Strut selection and accessories see page 46

150002-150 Flat roof support light 1,5m beam kit

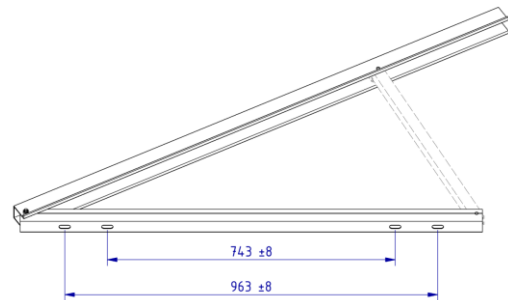
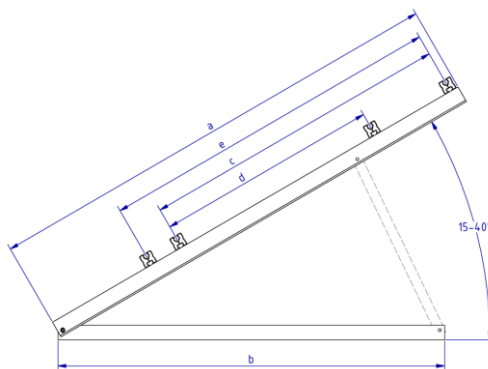
	a	b	c	d	e
mm	1445	1193	920-960	690	997-1067

For horizontal and vertical module mounting

Please note:

Refer to the dimension table for mounting areas, observe the specifications of the module manufacturer

Strut selection and accessories see page 46



FLAT ROOF- and FACADE SUPPORT SYSTEM

Supports beam kit

Beam kit

Angle available in 15° or 30°

155002-320 Flat roof support light 3,2m beam kit

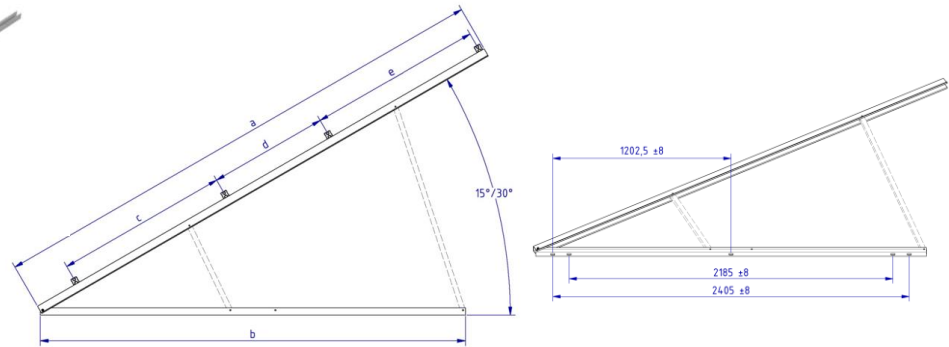
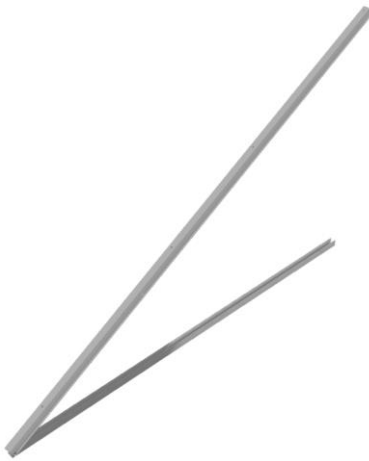
	a	b	c	d	e
mm	3195	2635	1080	733	1072

For horizontal and vertical module mounting

Please note:

Refer to the dimension table for mounting areas, observe the specifications of the module manufacturer

Strut selection and accessories see page 46



Facade support

Angles of 50°– 75° in 5° increments possible

156002-160 Facade support light 1,3m beam kit

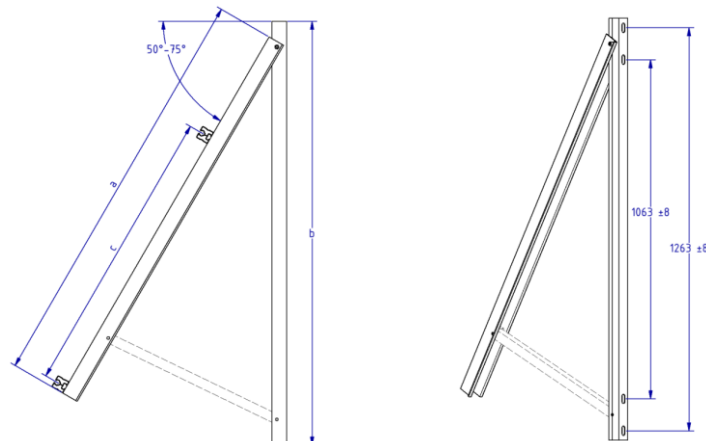
	a	b	c
mm	1285	1323	900

For horizontal and vertical module mounting

Please note:

Refer to the dimension table for mounting areas, observe the specifications of the module manufacturer

Strut selection and accessories see page 46

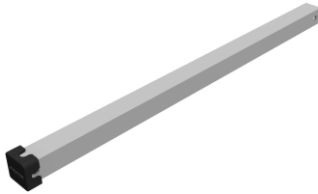


BEAM KIT ACCESSORIES

Supports

To complete the beam kits the following components such as struts and accessories are necessary!

Struts for beam kit



159005-001	Strut with end cap 338mm
159005-002	Strut with end cap 428mm
159005-003	Strut with end cap 520mm
159005-004	Strut with end cap 613mm
159005-005	Strut with end cap 700mm
159005-006	Strut with end cap 781mm
159005-007	Strut with end cap 1359mm

Beam kit accessories

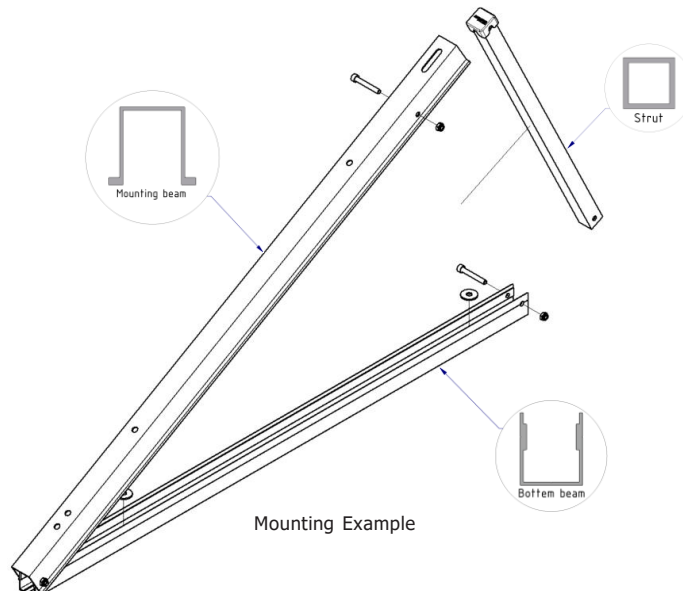


943308-055	Bolt M8x55 hex socket DIN912 GMB (2 piece/strut)	PU:100
943911-008	Nut M8 hexagon self-locking DIN985 A4 (2 piece/strut)	PU:500
943922-010	M10 Large Washer DIN9021 A2 (1 piece/ screw-on point bottom support)	PU:100

Strut table

Flat roof support						
	15°	20°	25°	30°	35°	40°
150002-130	159005-001	159005-002	159005-003	159005-004	159005-005	159005-006
150002-150	159005-001	159005-002	159005-003	159005-004	159005-005	159005-006
155002-320	159005-005			159005-007		
	159005-001			159005-004		

Facade support						
	50°	55°	60°	65°	70°	75°
156002-160	159005-006	159005-005	159005-004	159005-003	159005-002	159005-001



SUPPORT ACCESSORIES

Supports



Filling finish

159000-027 Concrete block filling finish set18	PU:100
--	--------

160002-001 SolRack AL (1 plate) Material thickness: 1 mm Surface: 0.55 m ²	
---	--



SolRack accessories

(2 units per plate required!)

943610-025 Screw M10 x 25 hexagonal DIN933 A2 GMB	PU:100
943922-010 Large washer M10 DIN9021 A2	PU:100
943912-010 Flange nut M10 with locking teeth DIN6923 A4	PU:100



Windsafe (depending on project)

Rear wall paneling for elevated PV systems to reduce wind loads

164160-180 Windsafe Vario AL 160 x 1830 mm	
164250-180 Windsafe Vario Alu 250 x 1830 mm	



LOAD-OPTIMIZED FLAT ROOF SYSTEMS

FixGrid

FlatGrid

FIXGRID

Load-optimized flat roof systems



FixGrid18

163000-201	FixGrid18 100 kit 6° set of 2
163000-202	FixGrid18 100 kit 6° set of 3
163000-203	FixGrid18 100 Kit 13° set of 2
163000-204	FixGrid18 100 kit 13° set of 3
163000-301	FixGrid18 South kit 6° set of 2
163000-302	FixGrid18 South kit 6° set of 3
163000-303	FixGrid18 South kit 13° set of 2
163000-304	FixGrid18 South kit 13° set of 3



FixZ profile pieces incl. FixGrid screw-in connector

163900-011	FixZ-7 upper system profile 96 mm with connector	PU:25
163900-012	FixZ-7 lower system profile 96 mm with connector	PU:25
163900-021	FixZ-10 upper system profile 96 mm with connector	PU:25
163900-022	FixZ-10 lower system profile 96 mm with connector	PU:25
163900-023	FixZ-10 center system profile 96 mm with connector	PU:25
163900-001	FixZ-15 upper system profile 96 mm with connector	PU:25
163900-002	FixZ-15 lower system profile 96 mm with connector	PU:25
163900-003	FixZ-15 center system profile 96 mm with connector	PU:25

For high snow loads up to 5.4 kN / m²

FlatGrid

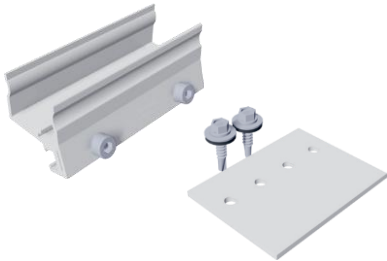


FlatGrid

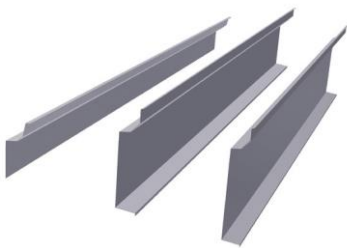
128039-006	Base profile for FlatGrid 6000 mm
128039-203	Base profile for FlatGrid 2150 mm
128039-212	Base profile for FlatGrid 2650 mm
128039-214	Base profile for FlatGrid 4200 mm
128039-215	Base profile for FlatGrid 6300 mm
128039-216	Base profile for FlatGrid 3150 mm

FIXGRID

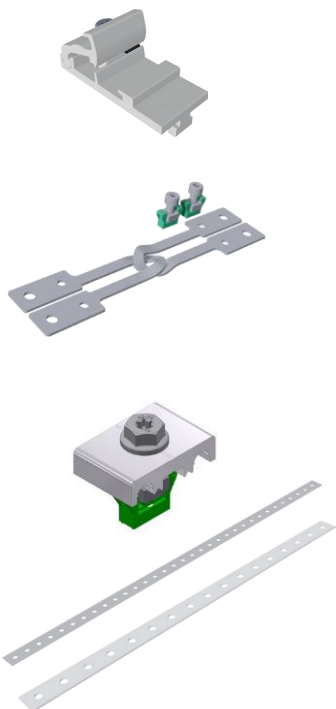
Load-optimized flat roof systems



Connectors		
129002-002	Connector E Solo, SoloPlus, FixZ-7, FixZ-15, pre-assembled	PU:100
129019-001	Additional connector for FixZ-15 upper set	PU:100



FixZ-7 Windsafe	
169018-170	FixZ-7 Windsafe up to 1700 mm
169018-210	FixZ-7 Windsafe up to 2067 mm
169017-170	FixZ-10 Windsafe up to 1700 mm
169017-210	FixZ-10 Windsafe up to 2067 mm
169019-170	FixZ-15 Windsafe up to 1700 mm
169019-210	FixZ-15 Windsafe up to 2067 mm

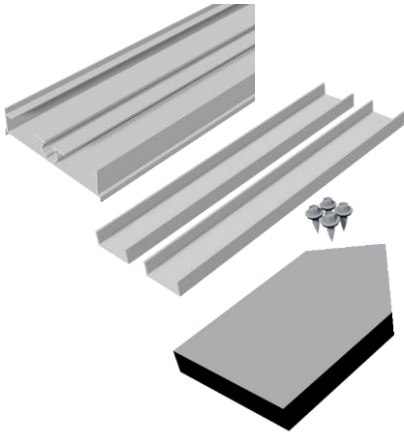


Other accessories		
129063-000	Rapid cross connector	PU:200
129062-001	Tension connector set M8	PU:100
135003-005	Lightning protection clamp M8	PU:25
119015-002	Punched mounting tape 6mm – Reel á 50 m	PU:1
119015-003	Punched mounting tape 16mm – Reel á 50 m lightning resistant	PU:1

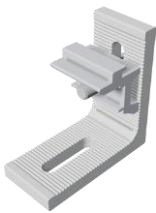
The appropriate module clamps can be found in the module clamps section, and the module support profiles in the profiles section

FLATGRID

Load-optimized flat roof systems



Base profile FlatGrid for structure protection strips		
128039-006	Base profile for FlatGrid 6000 m	
128039-203	Base profile for FlatGrid 2150 m	
128039-212	Base profile for FlatGrid 2650 m	
128039-214	Base profile for FlatGrid 4200 m	
128039-215	Base profile for FlatGrid 6300 m	
128039-216	Base profile for FlatGrid 3150 m	
129078-000	Internal connector for FlatGrid set	PU:25
169004-003	Surface protect.mat 300x110x20mm SK cut	PU:25
169004-008	Surface protect.mat 300x110x20FH SK cut (On request, please note longer delivery time)	PU:25



Rapid ²⁺ L bracket connector and accessories		
119026-001	Rapid ²⁺ L bracket connector	PU:100
943308-120	Allen screw M8 x 20	PU:100
943922-008	Washer M8	PU:100
943914-008	Square nut M8	PU:100
129010-008	Click-in module for nut M8	PU:100

The appropriate module clamps can be found in the module clamps section, and the module support profiles in the profiles section



SCREWS AND SMALL PARTS

Screws and small parts

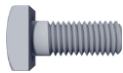
SCREWS AND SMALL PARTS

Screws and small parts



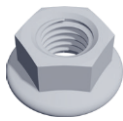
Hexagon screw, VA

943610-025 M10 x 25	PU:100
943610-030 M10 x 30	PU:100
943610-035 M10 x 35	PU:100
943610-045 M10 x 45	PU:100



Square head screw, VA

943410-025 M10 x 25	PU:100
---------------------	--------



Flange nut with locking teeth

943912-008 M8	PU:100
943912-010 M10	PU:100



Washer large, VA

943922-008 M8	PU:100
943922-010 M10	PU:100



Allen screw

943308-120 M8 x 20 bottom gear teeth	PU:100
943308-135 M8 x 35 bottom gear teeth	PU:200

SCREWS AND SMALL PARTS

Screws and small parts



943914-008	Square nut M8, V4A Fits all Schletter system profiles, can be combined with Klicknut M8 and click-in component	PU:100
-------------------	---	--------



129010-008	Click-in module for nut M8 For simplified insertion of the M8 square nut at any location on the KlickIn nut M8	PU:100
-------------------	---	--------



943914-010	Square nut M10, V4A	PU:100
-------------------	---------------------	--------

943914-108	Special square nut M8, V4A (shape as in M10) Fits all Schletter system profiles, can be combined with Klicknut M10 and click-in components	PU:100
-------------------	---	--------



129010-001	KlickIn click-in module for nut M10 For simplified insertion of the M10 square nut at any location on the KlickIn nut M10	PU:100
-------------------	--	--------

Nut self-securing, V4A



943911-008	M8	PU:500
943911-010	M10	PU:200

Threaded screw, self-grooving, VA

For steel starting at 1.5 mm

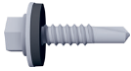


943763-064	6,3 x 64	PU:100
943763-115	6,3 x 115	PU:100
943763-150	6,3 x 150	PU:100
943763-200	6,3 x 200	PU:50

The fixing points must be pre-drilled with \varnothing 5 mm

SCREWS AND SMALL PARTS

Screws and small parts



Fastening screws for metal components and plates

943755-925	Drill screw 5.5 x 25 with gasket	PU:100
943000-360	Thin sheet metal screw 6.0 x 25 A2 with gasket	PU:100

943772-019	Repair screw 7.2 x 19 self-grooving FABA-A A2	PU:500
------------	---	--------

EPDM rubber inlay 3 mm self-adhesive, 50 m roll, UV-resistant

e.g. for trapezoidal sheet clamps or for laminate modules



973000-041	EPDM rubber self-adhesive 48 mm wide, reel 50 m
------------	---

Wood screw

For non-boarded roofs, we recommend at least 80 mm, for roofs with boarding and counter-battens, at least 120 mm!

Wood screw with plate head, VA



Example

943208-080	8 x 80	PU:100
943208-100	8 x 100	PU:100
943208-120	8 x 120	PU:50

Wood screw with plate head, galvanized

942208-080	8 x 80	PU:50
942208-100	8 x 100	PU:50
942208-120	8 x 120	PU:50

Seal for plate head screws



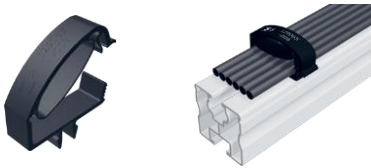
119016-000	dm 8 EPDM
------------	-----------

SCREWS AND SMALL PARTS

Screws and small parts

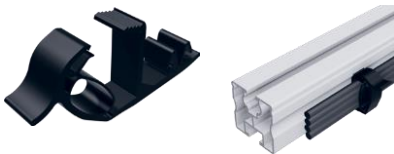
Cable routing

Cable fastener made of UV- and temperature-resistant plastic



129065-008 Proklip-Multi 8

Profiles	Systems	Cable quantity	
Click or screw channel M8, module support profile S, module support profiles Solo, Eco05, FixZ-7, FixZ-15	FixZ-7, FixZ-15, system FS, carport, special projects	approx. 6*	PU:100



129065-001 Proklip-Multi 10S

Profiles	Systems	Cable quantity	
Solo and screw channel M10	-	approx. 4*	PU:100



149023-001 Fastening binder 1.0–3.0 mm, upper guide

Fastening on edges with a width of 1.0–3.0 mm; cable tie length: Cable tie length: 200 mm

PU:100



149023-002 Fastening binders 1.0–3.0 mm, lateral guide

Fastening on edges with a width of 1.0–3.0 mm; cable tie length: Cable tie length: 200 mm

PU:100

* Starting with a 6 mm² cable with a 6 mm cable diameter



For competent and comprehensive advice in planning your system, and for questions about logistics and order processing, our employees are gladly available to you.

SCHLETTER
The Solar Mounting Group

SCHLETTER SOLAR GMBH (Headquarters)
Alustraße 1
83527 Kirchdorf
GERMANY

www.schletter-group.com

We reserve the right to changes, including technical modification.